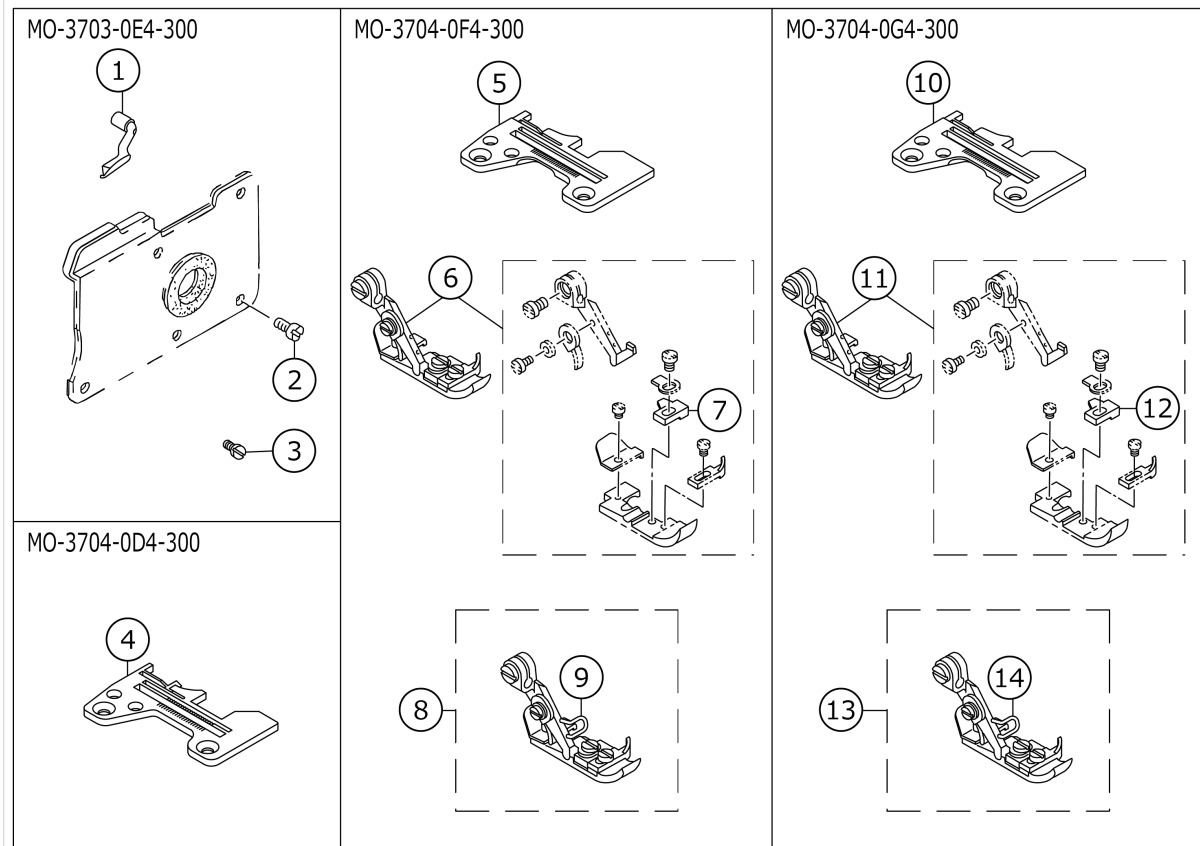


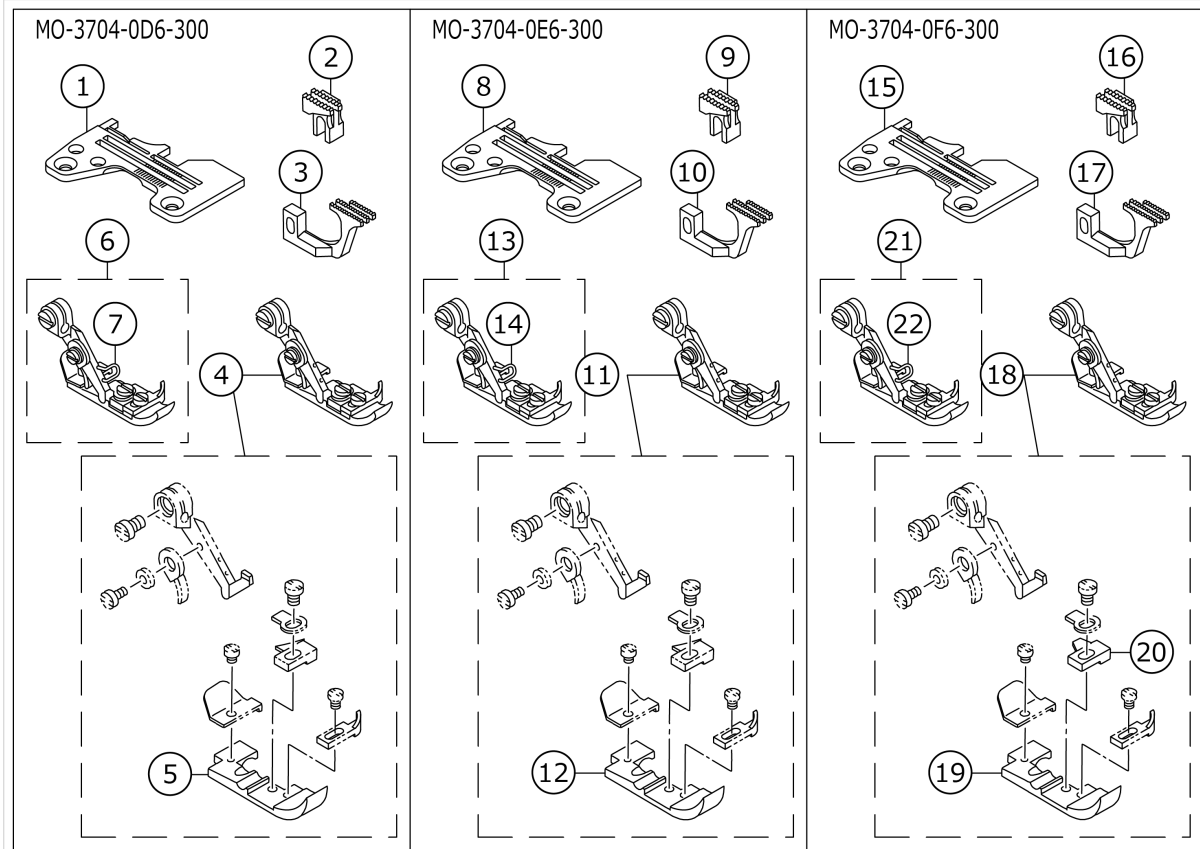
# MO-3700 SUBCLASSES 3703/3704/3705

## MO-3700 SUBCLASSES (1)



No.	品番	品名	備考	子部品	消耗品	個数
1	11888609	UPPER SPREADER				1.00
2	SS6090630SP	SCREW 9/64-40 L=6				1.00
3	SS7110710SL	SCREW 11/64-40 L=7.0				1.00
4	R4200J0DD00	THROAT PLATE				1.00
5	R4200J0FD00	THROAT PLATE				1.00
6	11876257	PRESSER FOOT ASM.				1.00
7	B1509804C0A	STITCH TONGUE		*		1.00
8	11876265	PRESSER FOOT ASM.	FOR EXPORT			1.00
9	11820701	FINGER GUARD		*		1.00
10	R4200J0GD00	THROAT PLATE				1.00
11	11876257	PRESSER FOOT ASM.				1.00
12	B1509804C0A	STITCH TONGUE		*		1.00
13	11876265	PRESSER FOOT ASM.	FOR EXPORT			1.00
14	11820701	FINGER GUARD		*		1.00

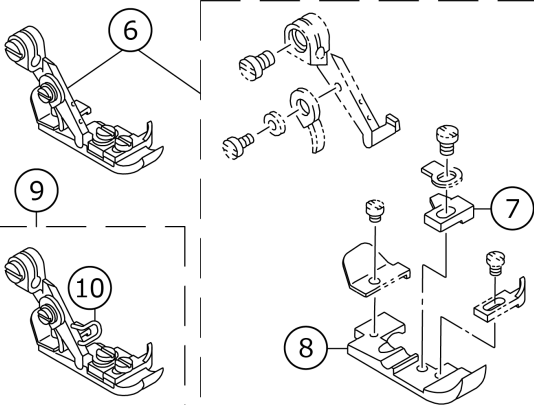
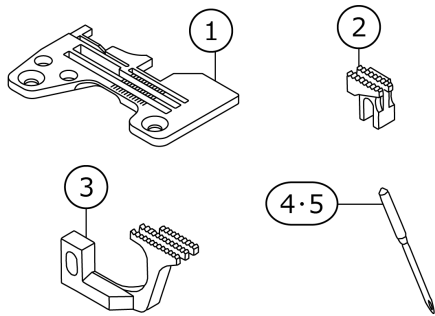
# MO-3700 SUBCLASSES (2)



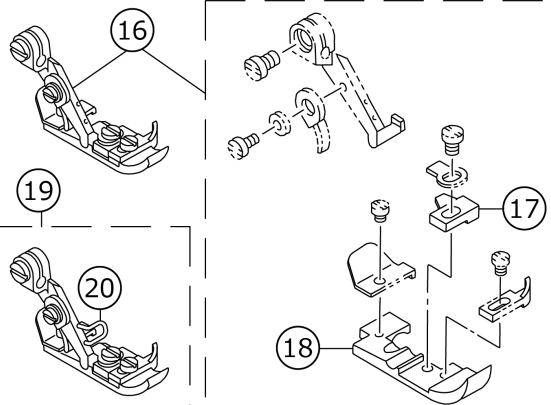
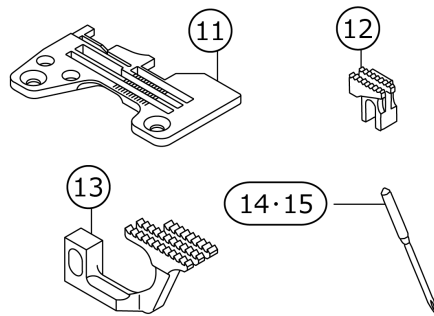
No.	品番	品名	備考	子部品	消耗品	個数
1	R4300J0DE00	THROAT PLATE				1.00
2	11882206	MAIN FEED DOG				1.00
3	11885100	DIFFERENTIAL FEED DOG				1.00
4	11876356	PRESSER FOOT ASM.				1.00
5	11873007	PRESSER FOOT		*		1.00
6	11876364	PRESSER FOOT ASM.	FOR EXPORT			1.00
7	11820701	FINGER GUARD		*		1.00
8	R4300J0EE00	THROAT PLATE				1.00
9	11882206	MAIN FEED DOG				1.00
10	11885100	DIFFERENTIAL FEED DOG				1.00
11	11876356	PRESSER FOOT ASM.				1.00
12	11873007	PRESSER FOOT		*		1.00
13	11876364	PRESSER FOOT ASM.	FOR EXPORT			1.00
14	11820701	FINGER GUARD		*		1.00
15	R4300J0FE00	THROAT PLATE				1.00
16	11882206	MAIN FEED DOG				1.00
17	11885100	DIFFERENTIAL FEED DOG				1.00
18	11876455	PRESSER FOOT ASM.				1.00
19	11873007	PRESSER FOOT		*		1.00
20	B1509804C0A	STITCH TONGUE		*		1.00
21	11876463	PRESSER FOOT ASM.	FOR EXPORT			1.00
22	11820701	FINGER GUARD		*		1.00

# MO-3700 SUBCLASSES (3)

MO-3704-0F6-500



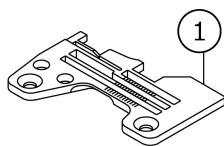
MO-3704-0G6-500



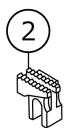
No.	品番	品名	備考	子部品	消耗品	個数
1	R4300J0FE0B	THROAT PLATE				1.00
2	11883303	MAIN FEED DOG				1.00
3	11885605	DIFFERENTIAL FEED DOG				1.00
4	MDC270B1400	NEEDLE DCX27 #14				1.00
5	MC033600900	NEEDLE B-27 90	FOR JE			1.00
6	11876455	PRESSER FOOT ASM.				1.00
7	B1509804C0A	STITCH TONGUE		*		1.00
8	11873007	PRESSER FOOT		*		1.00
9	11876463	PRESSER FOOT ASM.	FOR EXPORT			1.00
10	11820701	FINGER GUARD		*		1.00
11	R4300J0GE00	THROAT PLATE				1.00
12	11883303	MAIN FEED DOG				1.00
13	12171708	DIFFERENTIAL FEED DOG				1.00
14	MDC270B1400	NEEDLE DCX27 #14				1.00
15	MC033600900	NEEDLE B-27 90	FOR JE			1.00
16	11876455	PRESSER FOOT ASM.				1.00
17	B1509804C0A	STITCH TONGUE		*		1.00
18	11873007	PRESSER FOOT		*		1.00
19	11876463	PRESSER FOOT ASM.	FOR EXPORT			1.00
20	11820701	FINGER GUARD		*		1.00

# MO-3700 SUBCLASSES (4)

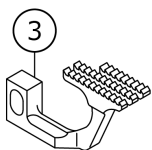
MO-3704-0H6-500



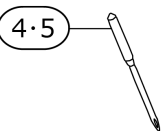
1



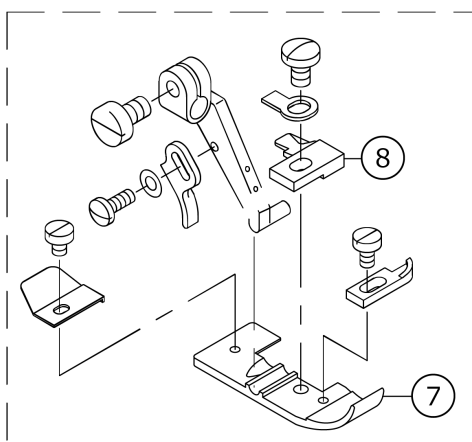
2



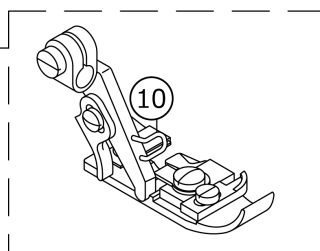
3



4.5

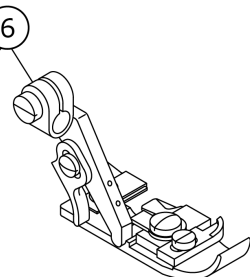


9



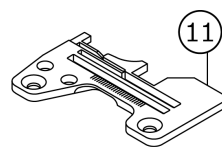
10

6



7

MO-3704E-0D4-306



11

12



13

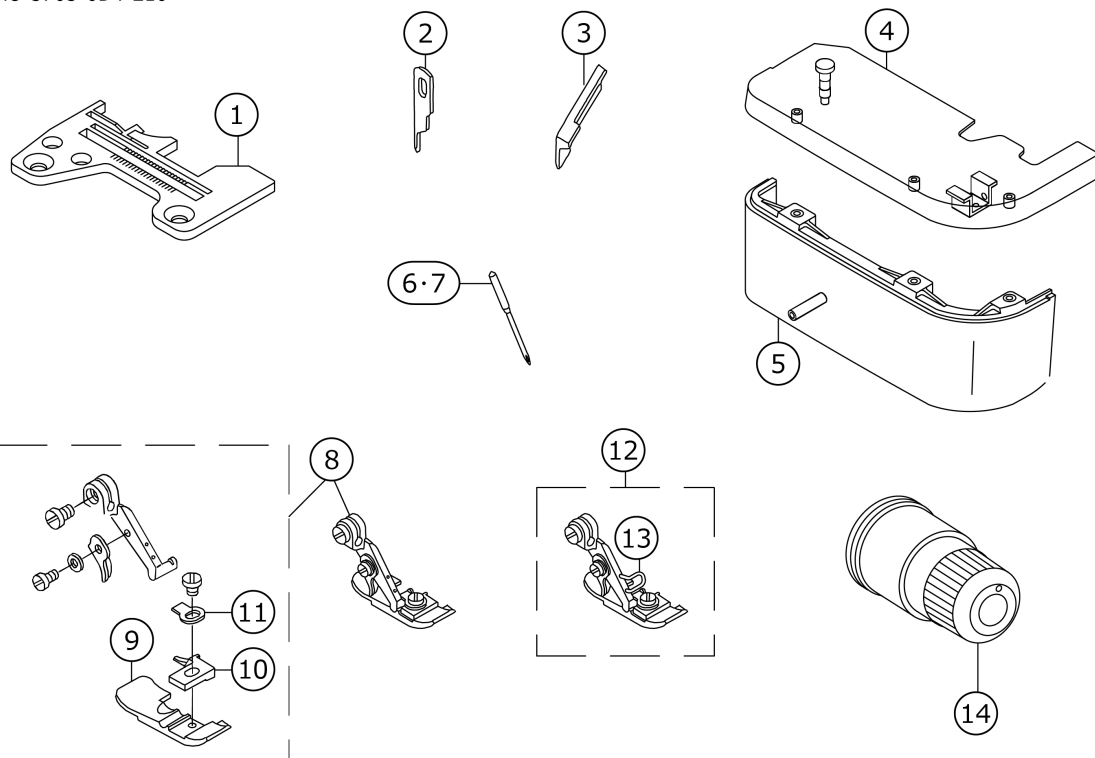


No.	品番	品名	備考	子部品	消耗品	個数
1	R4300J0HE00	THROAT PLATE				1.00
2	11883303	MAIN FEED DOG				1.00
3	12171708	DIFFERENTIAL FEED DOG				1.00
4	MDC270B1400	NEEDLE DCX27 #14				1.00
5	MC033600900	NEEDLE B-27 90	FOR JE			1.00
6	12151254	PRESSER FOOT ASM.				1.00
7	12157806	PRESSER FOOT		*		1.00
8	12159307	STITCH TONGUE		*		1.00
9	12151262	PRESSER FOOT ASM.	FOR EXPORT			1.00
10	11820701	FINGER GUARD		*		1.00
11	R4200J0DD0B	THROAT PLATE				1.00
12	11597101	MAIN FEED DOG				1.00
13	11886207	DIFFERENTIAL FEED DOG				1.00



# MO-3700 SUBCLASSES (5)

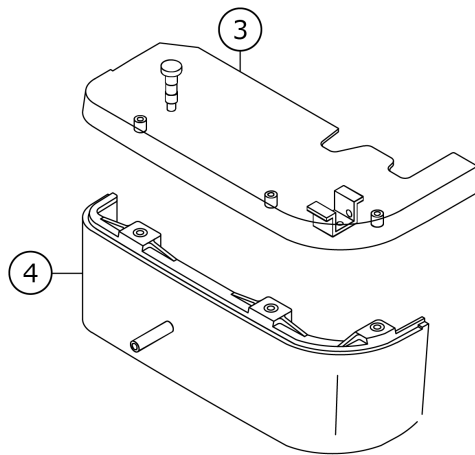
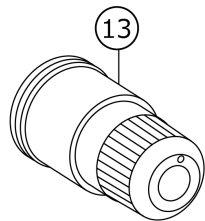
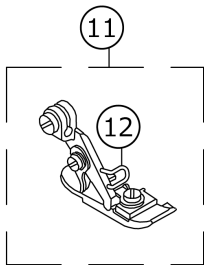
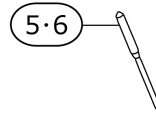
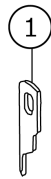
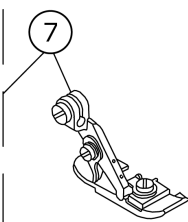
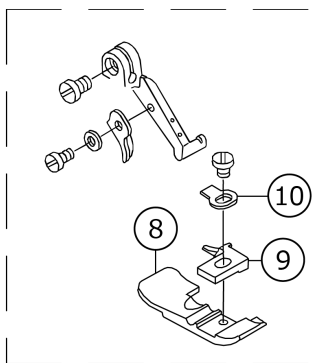
MO-3705-0D4-210



No.	品番	品名	備考	子部品	消耗品	個数
1	R4200J0DD00	THROAT PLATE				1.00
2	11845708	KNIFE	FOR DOMESTIC USE			1.00
3	11845906	UPPER KNIFE	FOR EXPORT			1.00
4	12104659	CLOTH PLATE ASM.				1.00
5	12104709	CLOTH PLATE COVER				1.00
6	MDC270B0900	NEEDLE DCX27 #9				1.00
7	MC033600650	NEEDLE B-27 65	FOR JE			1.00
8	11992153	PRESSER FOOT ASM.				1.00
9	11992104	PRESSER FOOT		*		1.00
10	11874807	STITCH TONGUE		*		1.00
11	B1508804000	SPRING		*		1.00
12	11992161	PRESSER FOOT ASM.	FOR EXPORT			1.00
13	11820701	FINGER GUARD		*		1.00
14	12254850	THREAD TENSION SPRING COMPL.				1.00

# MO-3700 SUBCLASSES (6)

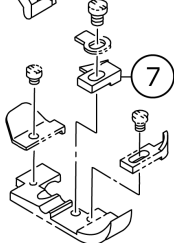
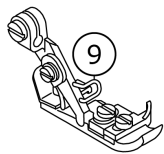
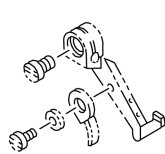
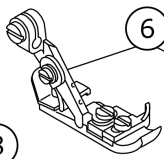
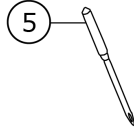
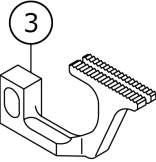
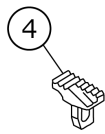
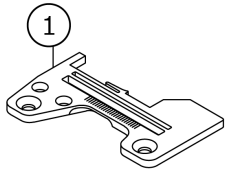
MO-3705-0E4-210



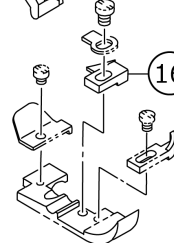
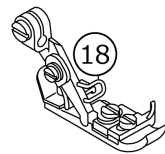
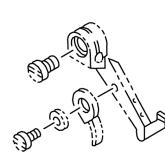
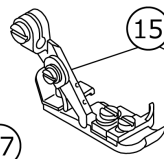
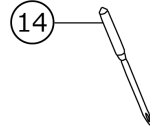
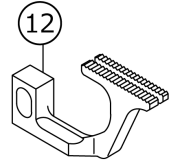
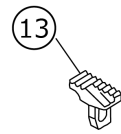
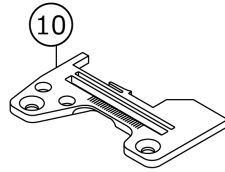
No.	品番	品名	備考	子部品	消耗品	個数
1	11845708	KNIFE	FOR DOMESTIC USE			1.00
2	11845906	UPPER KNIFE	FOR EXPORT			1.00
3	12104659	CLOTH PLATE ASM.				1.00
4	12104709	CLOTH PLATE COVER				1.00
5	MDC270B0900	NEEDLE DCX27 #9				1.00
6	MC033600650	NEEDLE B-27 65	FOR JE			1.00
7	11992153	PRESSER FOOT ASM.				1.00
8	11992104	PRESSER FOOT		*		1.00
9	11874807	STITCH TONGUE		*		1.00
10	B1508804000	SPRING		*		1.00
11	11992161	PRESSER FOOT ASM.	FOR EXPORT			1.00
12	11820701	FINGER GUARD		*		1.00
13	12254850	THREAD TENSION SPRING COMPL.				1.00

# MO-3700 SUBCLASSES (7)

MO-3704-0A4-150

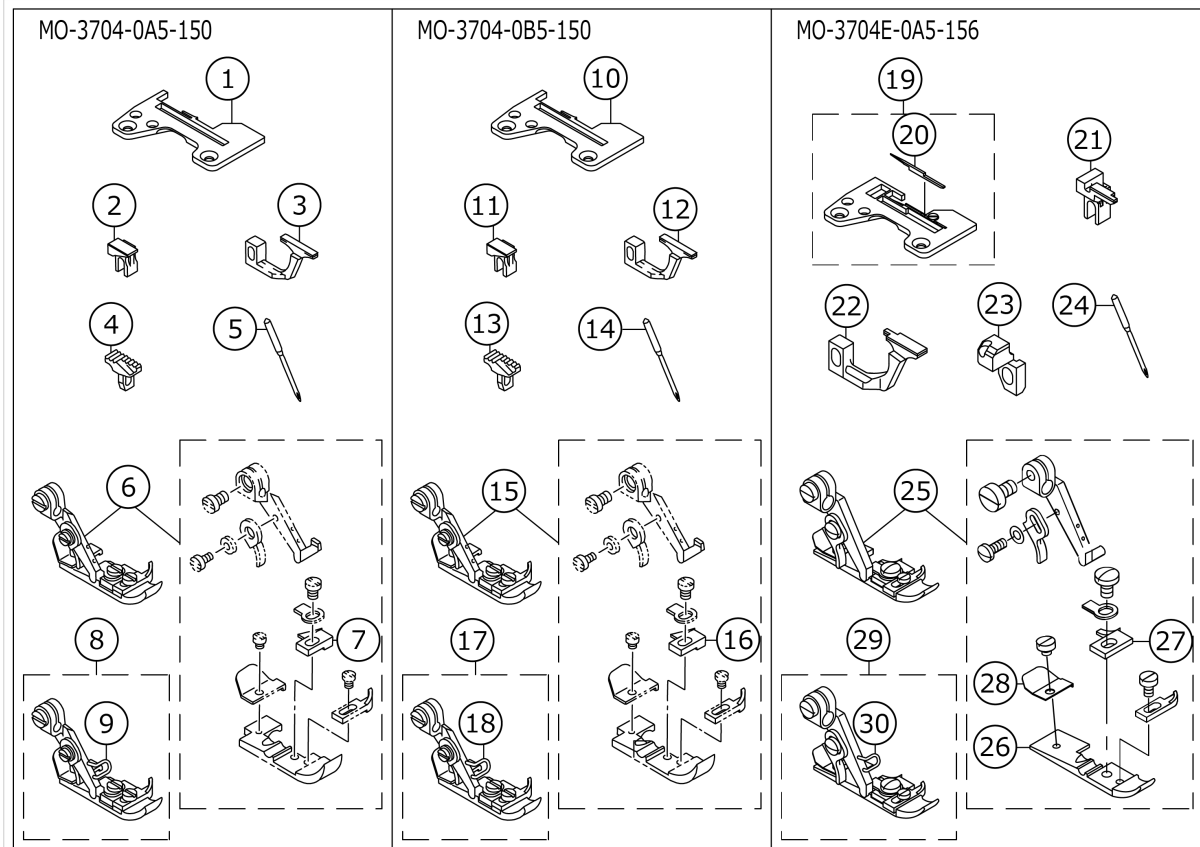


MO-3704-0B4-150



No.	品番	品名	備考	子部品	消耗品	個数
1	R4200J0AC00	THROAT PLATE				1.00
2	11898905	MAIN FEED DOG				1.00
3	11899002	DEFERENTIAL FEED DOG				1.00
4	11887007	AUXILIARY FEED DOG				1.00
5	MDC100B0800	NEEDLE DCX1 #8				1.00
6	11876059	PRESSER FOOT ASM.				1.00
7	11792900	STITCH TONGUE		*		1.00
8	11876067	PRESSER FOOT ASM.	FOR EXPORT			1.00
9	11820701	FINGER GUARD		*		1.00
10	R4200J0BC00	THROAT PLATE				1.00
11	11898905	MAIN FEED DOG				1.00
12	11899002	DEFERENTIAL FEED DOG				1.00
13	11887007	AUXILIARY FEED DOG				1.00
14	MDC100B0800	NEEDLE DCX1 #8				1.00
15	11876059	PRESSER FOOT ASM.				1.00
16	11792900	STITCH TONGUE		*		1.00
17	11876067	PRESSER FOOT ASM.	FOR EXPORT			1.00
18	11820701	FINGER GUARD		*		1.00

# MO-3700 SUBCLASSES (8)

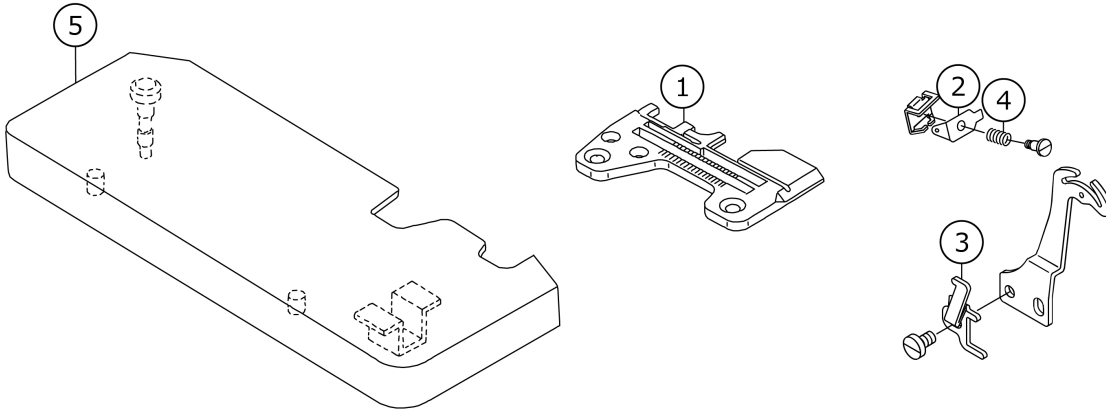


No.	品番	品名	備考	子部品	消耗品	個数
1	R4100J0AC00	THROAT PLATE				1.00
2	11882008	MAIN FEED DOG				1.00
3	11885001	DIFFERENTIAL FEED DOG				1.00
4	11887007	AUXILIARY FEED DOG				1.00
5	MDC100B0800	NEEDLE DCX1 #8				1.00
6	11876059	PRESSER FOOT ASM.				1.00
7	11792900	STITCH TONGUE		*		1.00
8	11876067	PRESSER FOOT ASM.	FOR EXPORT			1.00
9	11820701	FINGER GUARD		*		1.00
10	R4100J0BC00	THROAT PLATE				1.00
11	11882008	MAIN FEED DOG				1.00
12	11885001	DIFFERENTIAL FEED DOG				1.00
13	11887007	AUXILIARY FEED DOG				1.00
14	MDC100B0800	NEEDLE DCX1 #8				1.00
15	11876059	PRESSER FOOT ASM.				1.00
16	11792900	STITCH TONGUE		*		1.00
17	11876067	PRESSER FOOT ASM.	FOR EXPORT			1.00
18	11820701	FINGER GUARD		*		1.00
19	R4100J0AC0A	THROAT PLATE				1.00
20	11982907	THROAT PLATE HOOK		*		1.00
21	11982600	MAIN FEED DOG				1.00
22	11982709	DIFFERENTIAL FEED DOG				1.00
23	11982808	AUXILIARY FEED DOG				1.00
24	MDC100B0800	NEEDLE DCX1 #8				1.00
25	11982451	PRESSER FOOT ASM.				1.00
26	11982402	PRESSER FOOT		*		1.00
27	11982501	STITCH TONGUE		*		1.00
28	11898608	STOPPER		*		1.00
29	11982469	PRESSER FOOT ASM.	FOR EXPORT			1.00
30	11820701	FINGER GUARD		*		1.00

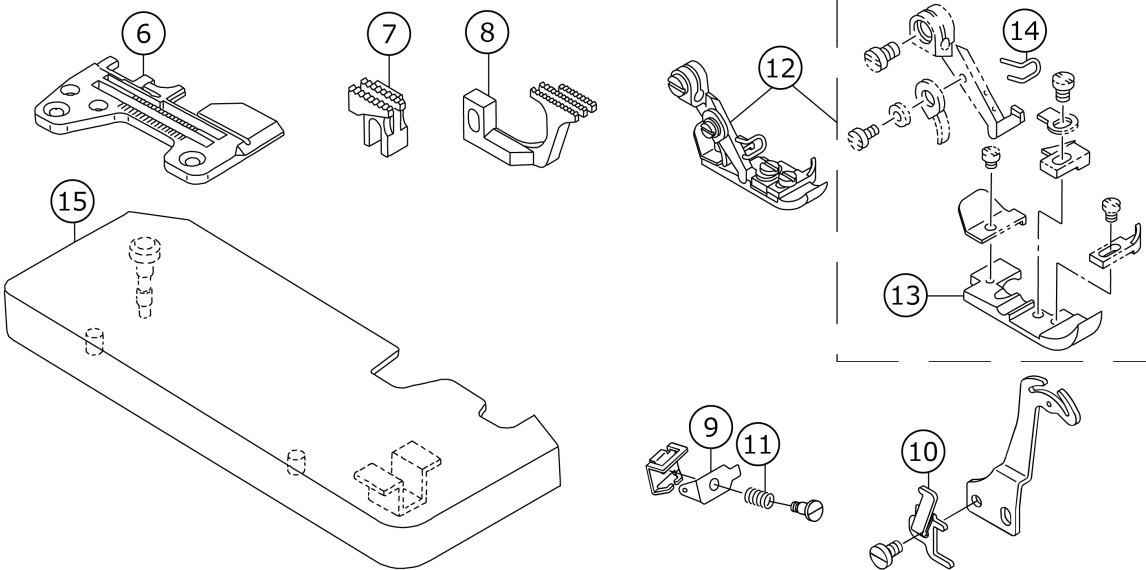


# MO-3700 SUBCLASSES (9)

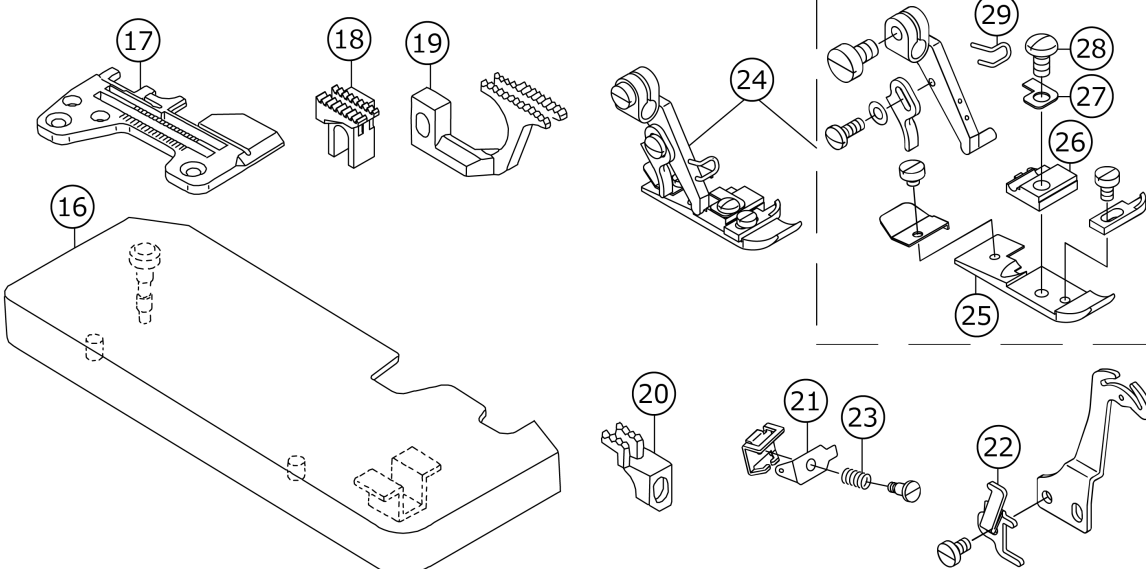
MO-3704A-OE4-300/Z173, MO-3704B-OE4-300/Z173



MO-3704B-OD6-300/Z173



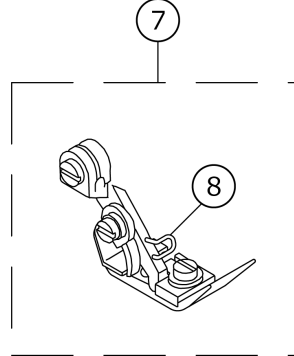
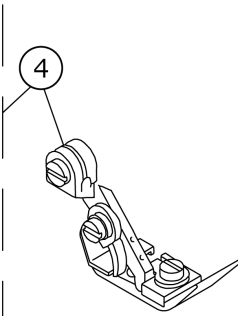
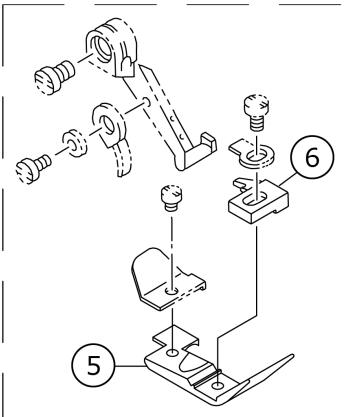
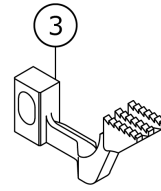
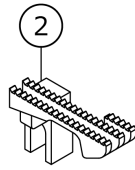
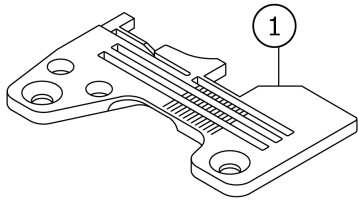
MO-3704S-OD4-300/Z173



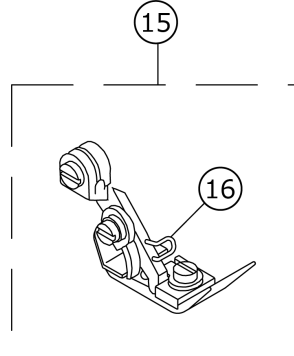
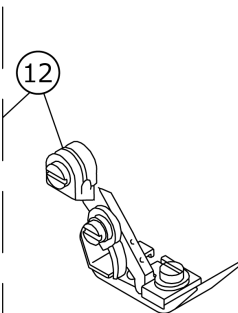
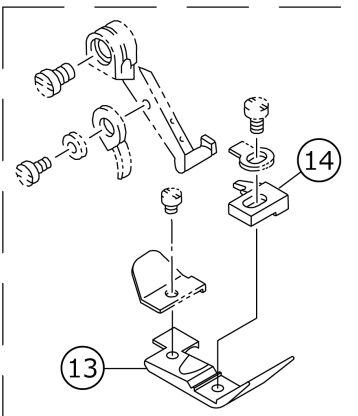
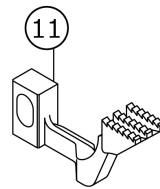
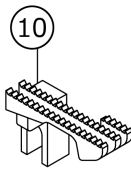
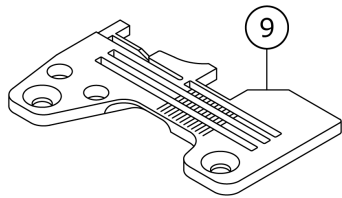
No.	品番	品名	備考	子部品	消耗品	個数
1	R4200J2ED00	THROAT PLATE				1.00
2	12112504	NEEDLE THREAD PRESSER PLATE C				1.00
3	12112603	DIFFERENTIAL FEED CAM				1.00
4	12112702	NEEDLE THREAD PRESSER SPRING B				1.00
5	11948783	CLOTH PLATE ASM.				1.00
6	R4200J2ED00	THROAT PLATE				1.00
7	11882206	MAIN FEED DOG				1.00
8	11885100	DIFFERENTIAL FEED DOG				1.00
9	12112504	NEEDLE THREAD PRESSER PLATE C				1.00
10	12112603	DIFFERENTIAL FEED CAM				1.00
11	12112702	NEEDLE THREAD PRESSER SPRING B				1.00
12	11876364	PRESSER FOOT ASM.				1.00
13	11873007	PRESSER FOOT		*		1.00
14	11820701	FINGER GUARD		*		1.00
15	11948783	CLOTH PLATE ASM.				1.00
16	11948783	CLOTH PLATE ASM.				1.00
17	R4200J2DD0B	THROAT PLATE				1.00
18	11597101	MAIN FEED DOG				1.00
19	11886207	DIFFERENTIAL FEED DOG				1.00
20	11988102	AUXILIARY FEED DOG				1.00
21	12112504	NEEDLE THREAD PRESSER PLATE C				1.00
22	12112603	DIFFERENTIAL FEED CAM				1.00
23	12112702	NEEDLE THREAD PRESSER SPRING B				1.00
24	11988052	PRESSER ASM.				1.00
25	11988003	PRESSER FOOT		*		1.00
26	11899507	STITCH TONGUE		*		1.00
27	11899408	SPRING		*		1.00
28	SS4080610SP	SCREW 1/8-44 L=6.4		*		1.00
29	11820701	FINGER GUARD		*		1.00

# MO-3700 SUBCLASSES (10)

MO-3704-OF6-320/S160

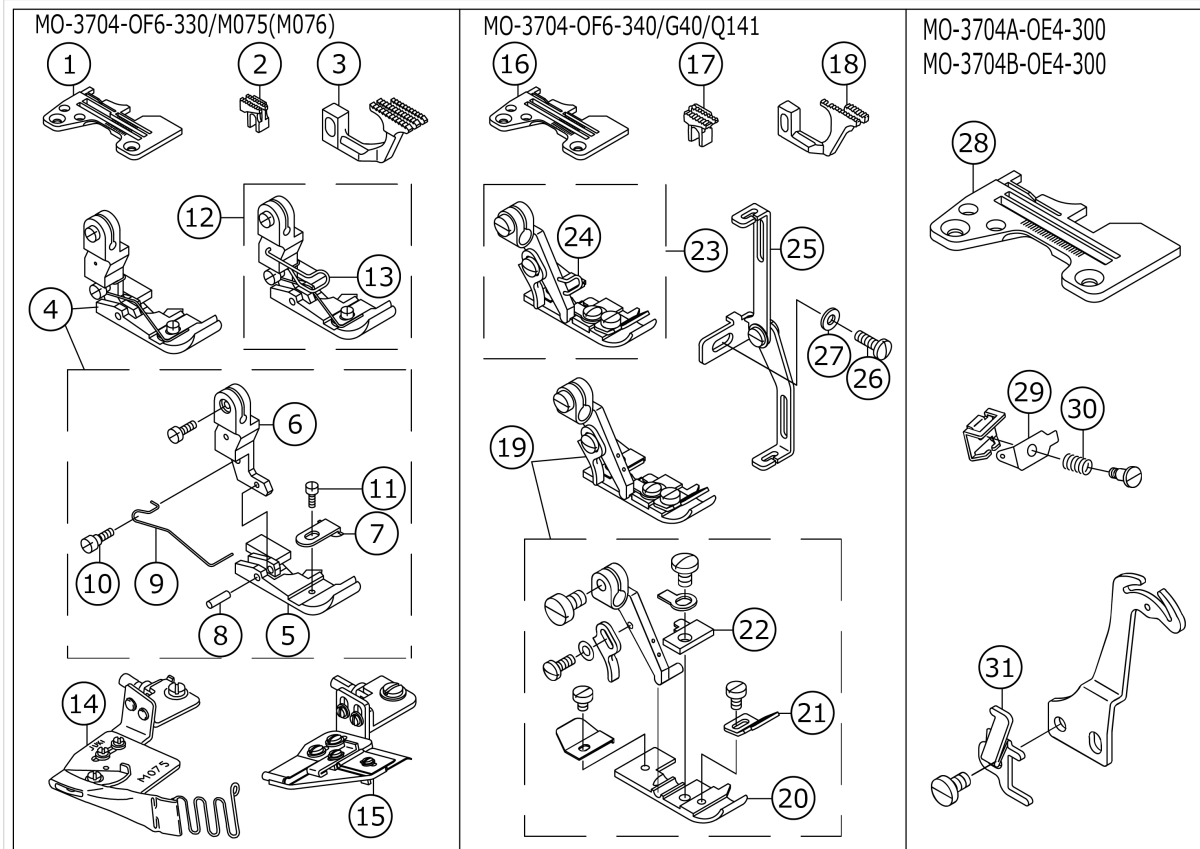


MO-3704-OF6-320/S162



No.	品番	品名	備考	子部品	消耗品	個数
1	R4300J0FE0A	THROAT PLATE				1.00
2	11883402	MAIN FEED DOG				1.00
3	12171807	DIFFERENTIAL FEED DOG				1.00
4	11974250	PRESSER FOOT ASM.				1.00
5	11974102	PRESSER FOOT		*		1.00
6	B150981400P	STITCH TONGUE		*		1.00
7	11974268	PRESSER FOOT ASM.	FOR EXPORT			1.00
8	11820701	FINGER GUARD		*		1.00
9	R4300J0FE0A	THROAT PLATE				1.00
10	11883402	MAIN FEED DOG				1.00
11	12171807	DIFFERENTIAL FEED DOG				1.00
12	11879350	PRESSER FOOT ASM.				1.00
13	11974250	PRESSER FOOT ASM.		*		1.00
14	B150981400P	STITCH TONGUE		*		1.00
15	11879368	PRESSER FOOT ASM.	FOR EXPORT			1.00
16	11820701	FINGER GUARD		*		1.00

# MO-3700 SUBCLASSES (11)



No.	品番	品名	備考	子部品	消耗品	個数
1	R4300J0FE0B	THROAT PLATE				1.00
2	11882206	MAIN FEED DOG				1.00
3	11995107	DIFFERENTIAL FEED DOG				1.00
4	11994951	PRESSER ASM.				1.00
5	11994902	PRESSER FOOT		*		1.00
6	11872405	PRESSER FOOT HINGE		*		1.00
7	11995008	BRACKET		*		1.00
8	B1511357000	PIN		*		1.00
9	11892106	PRESSER SPRING		*		1.00
10	SD0370401SP	HINGE SCREW D= 3.70 H= 4.0		*		1.00
11	SS6060340SP	SCREW 3/32-56 L= 2.5		*		1.00
12	11994969	PRESSER FOOT ASM.	FOR EXPORT			1.00
13	11894706	FINGER GUARD		*		1.00
14	MAM0750J0A0	PIPING FOLDER ASM. 9MM				1.00
15	MAM0760N0A0	PIPING GUIDE ASM. 8-13MM	SPECIAL ORDER PARTS			1.00
16	R4300J0FE00	THROAT PLATE				1.00
17	11949807	MAIN FEED DOG				1.00
18	11949906	DIFFERENTIAL FEED DOG				1.00
19	12151353	TAPE PRESSER ASM.				1.00
20	12158002	PRESSER FOOT		*		1.00
21	12160909	TAPE GUIDE		*		1.00
22	B1509804C0B	STITCH TONGUE		*		1.00
23	12151361	PRESSER FOOT ASM.	FOR EXPORT			1.00
24	11820701	FINGER GUARD		*		1.00
25	MAQ141000A0	TAPE GUIDE ASM.				1.00
26	SS7091110TP	SCREW 9/64-40 L=10.5				1.00
27	WP0371016SD	WASHER 3.7X8X1				1.00
28	R4200J0ED0A	THROAT PLATE				1.00
29	12112504	NEEDLE THREAD PRESSER PLATE C				2.00
30	12112603	DIFFERENTIAL FEED CAM				1.00
31	12112702	NEEDLE THREAD PRESSER SPRING B				2.00

# HOW TO MAKE USE OF THIS PARTS LIST

1.As to "#01" and "#02" refer to the "Note" given at the bottom of the respective pages.

2.Codes on the "Qty" column

- Each numeral indicates the number of parts required.
- "0.1" and "2.5" indicate the length (in meters) of the respective parts.

3.Parentheses mean that the corresponding part is a subpart that constructs an assembly part.

4.Dotted lines on the Figures indicate assembly parts.

1. リストページの# 0 1、# 0 2の印は、ページ下の"注記"の説明を参照下さい。
2. 数量欄の数字は、個数を表し、0. 1、2. 5等の数値は、長さ（単位メートル）を表します。
3. 数量欄の（ ）は、組部品を構成している子部品であることを意味します。
4. イラストページの-----枠は、組構成であることを意味します。